

moss

7300 Series Patio Door



The 7300 Series Sliding Patio Door is the stylish choice!

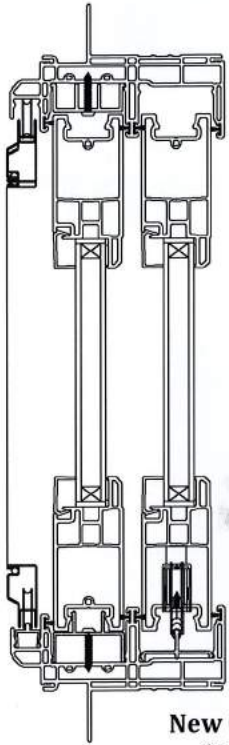
From aesthetic appeal to expert construction and energy efficiency, you can expect the best from your 7300 Sliding Patio Door. These doors meet all energy efficiency requirements while keeping your home looking stylish.

Available for New Construction and Replacement Applications

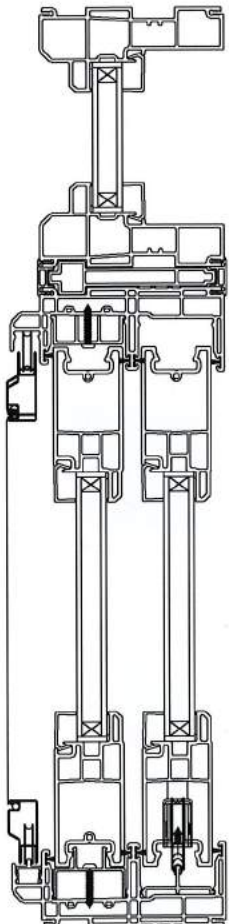
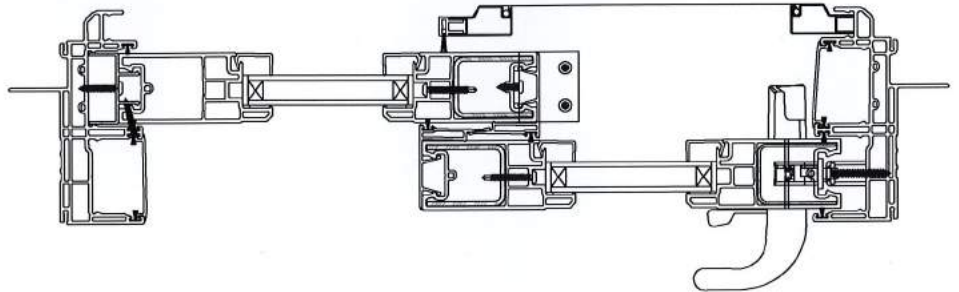
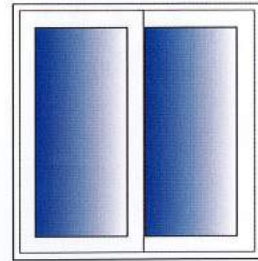
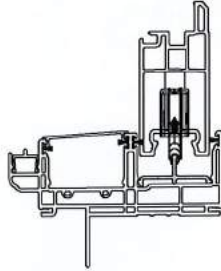
7300 Sliding Patio Door

Two-panel configuration available OX or XO.

Siding panel handing outside looking in (X=sliding panel)



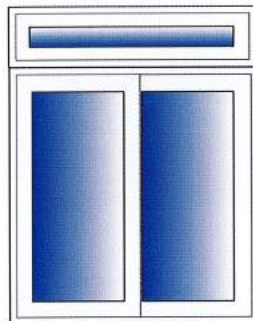
New Construction
(7300 Series)
frame shown.



Replacement
(7330 Series)
frame shown.

Enhance Your Door Design

Transom



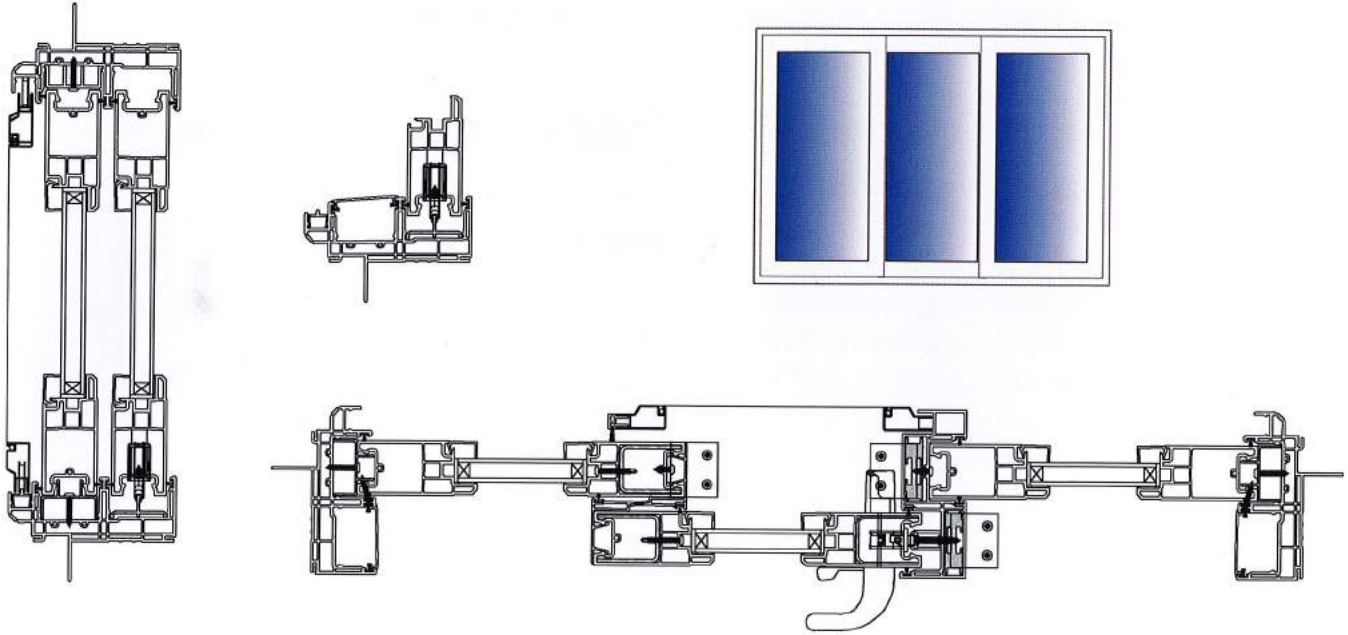
**Stand
alone
Sidelights
Available**



7300 Sliding Patio Door

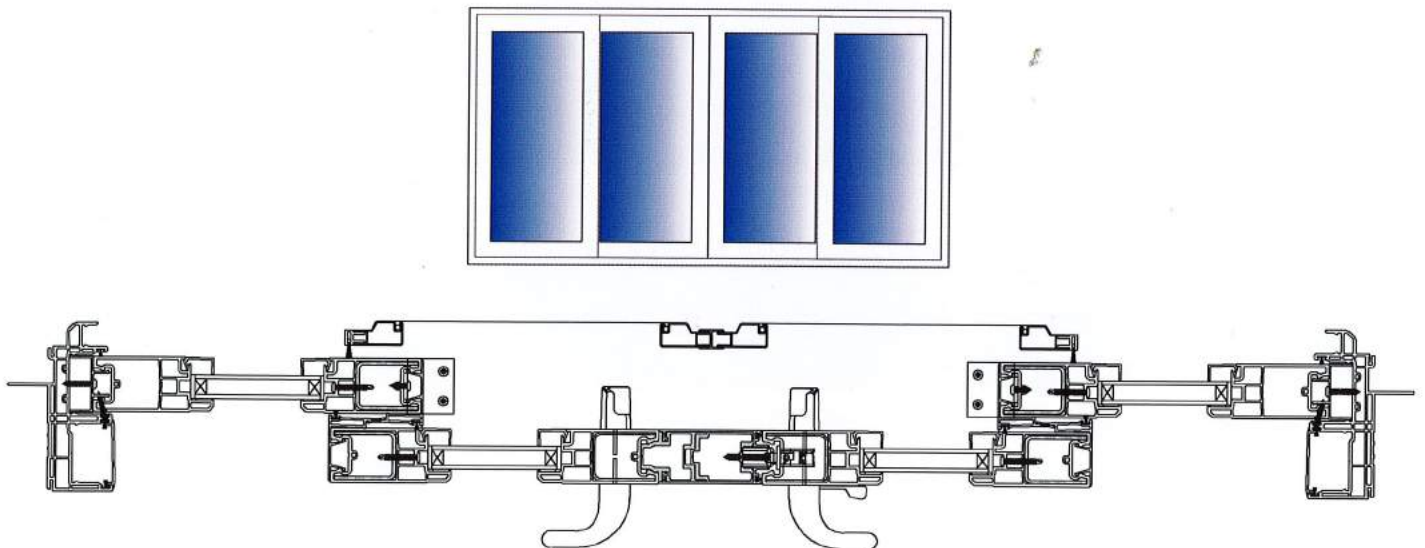
Three-panel configuration available OXO.

Siding panel handing outside looking in (X=sliding panel).
Three-panel configuration center panel OXO slides left or right (must specify slide direction)



Four-panel configuration available OXXO.

Siding panel handing outside looking in (X=sliding panel).
Four-panel configuration. Both center panels open OXXO (must specify handle side active/keeper side passive)



7300 Patio Door

Features

- French-Style Sliding Patio Door with 3-7/8" panels
- Fully-welded multi-hollow frame and panel for improved DP rating
- Full perimeter weather-stripping in frame for improved air infiltration test results
- Deep-pocket interlocks for improved energy efficiency and performance
- Concealed tandem face-adjust rollers for ease of adjustment
- Standard two-point locking hardware
- Improved shading glass standard
- Available for New Construction (7300 Series) and Replacement (7330 Series) applications

Configurations

- Siding panel handing outside looking in (X=sliding panel)
- Two-panel configuration available OX or XO
- Three-panel configuration center panel OXO slides left or right (must specify slide direction)
- Four-panel configuration. Both center panels open OXXO (must specify handle side active/keeper side passive)

Testing

- U-Factor equals 0.30 or less with Low E/Argon
- Shading Values 0.20 no GBG or 0.18 with GBG (Grids Between Glass)
- Test Results: 96" x 96" two-panel OX or XO meets DP 50 AAMA rating
- Test Results: 108" x 96" three-panel OXO meets DP 50 AAMA rating (at test lab)
- Test Results: 192" x 96" four-panel OXXO meets DP 50 AAMA rating (at test lab)

Enhancements

- Blinds Between the Glass (white color only) 2/6 and 3/0 panel width at 6/8" tall
- Blinds Between the Glass U-Factor equals 0.31.
- GBG is *not* available with blinds
- Coordinating Transom and Sidelights available
- SDL (Simulated Divided Lite) over GBG is available

5001 North Graham Street. Charlotte, NC 28269

Call 704-596-8717

www.mosssupply.com

©2020 Moss #7300-1-2020

moss